

Data Sheet

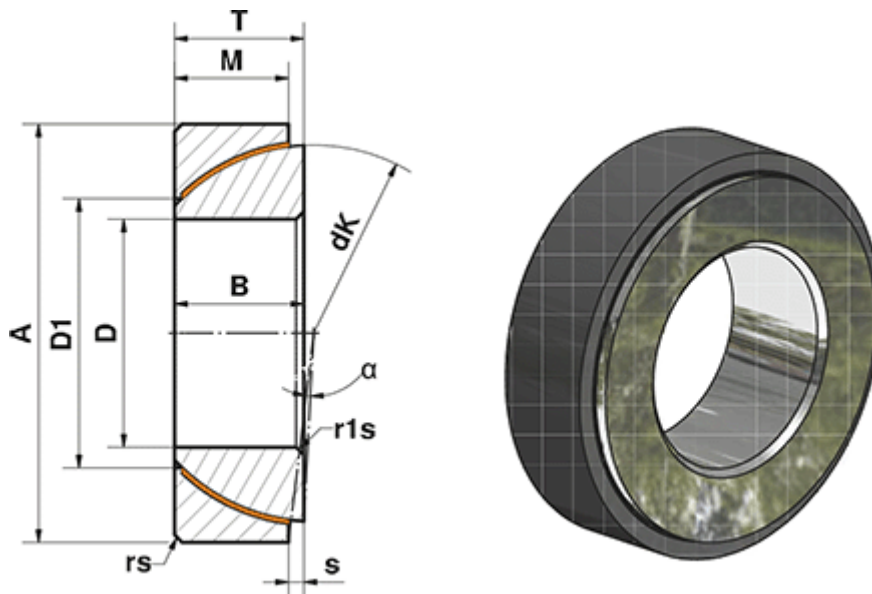


Article number: 03449025

Description: Fluro Heavy Duty Spherical Plain Bearing GE 25 SWE
Hole Ø25

Note: 25

Measures



A	= 47	rs, r1s min	= 1
a (degrees)	= 2.5	S	= 0.6
B	= 15	Static load C0 (kN)	= 235
D	= 25	T	= 15
D1	= 31.8	Weight (g)	= 148
dK	= 42		
Dynamic load C (kN)	= 141		
M	= 14		